



LABMICRO

8553545575 / 8050259428 

contact@labmicro.in 

www.labmicro.in 

UPRIGHT RESEARCH MICROSCOPE



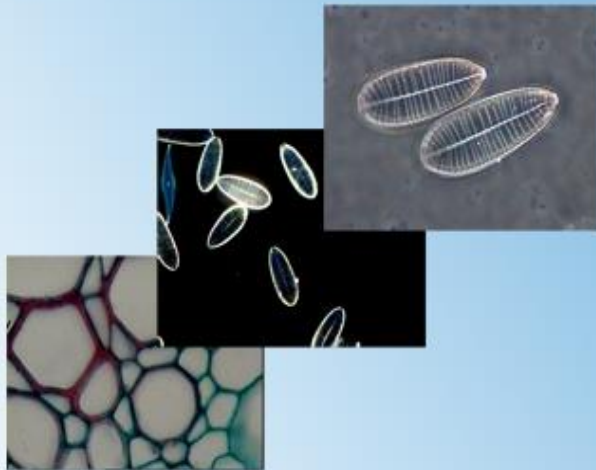
MODEL: SLV-25 Series



Shop No.1, Basement floor, Best Apartments, Dr. Arunachalam Road, 5th Stage BEML Layout,
Rajarajeshwari Nagar, Bengaluru - 560 098

BIOLOGICAL MICROSCOPE

—Infinity Optical System



SLV-25 series biological microscopes are equipped with excellent infinity plan achromatic objectives and wide field eyepieces. The ideal ergonomic design is adopted, such as low-lying focusing knobs, backward nosepiece and integrated handle, so that operate the instruments easier and have wider space, especially moving the instruments is better safety. They can be used for biology, medicine agriculture and industry area widely. They are the ideal instrument in medical treatment, teaching demonstration and scientific research.

- ★ Adopted excellent optical system , equipped with excellent optical performance.
- ★ The notions of design streamline figure and pastel color makes the microscope has more beautiful appearance.
- ★ It achieves the notion of design of ergonomics, so it can provide the more comfortable operation and more operational room.
- ★ The appropriate design can make it update of increasing correlative accessories , for example : simple polarized system and phase contrast observation.
- ★ Base on the human design, the microscope has the hand shank in the back of it , because of the design, you can easily take up the microscope and move it.



Observe system:

The trinocular can easily change in the observation and photography Inclination of 30, you do not need to down head or horizontal observation in the long time, it can make the neck and shoulder of operator feel comfortable, the 360° rotatable stage of Trinocular adapt to the different stature of operator, base on the 100% pass of light of Trinocular, the microscope adapt to low illumination of photography.

Stage:

Double layer mechanical stage ,size of 180mmX150mm, move range: 75mmX50mm. Perfectly combine with the coaxial gear and flexible steel wire driving, make the stage more fluent moving .The driving device fix in the stage , which can prevent the device on the outside of stage to hurt the operator effectively



hand shank:

Base on the human design, the microscope has the handshank in the back of it , because of the design, youcan easily take up the microscope and move it.

Fcility polarize:

Can optional with polarizer and analyzer. Push the anaylzer pole and polarizer into optical path, rotatethe turnplate of polarizer to make them orthogonal polarization.



Collector:

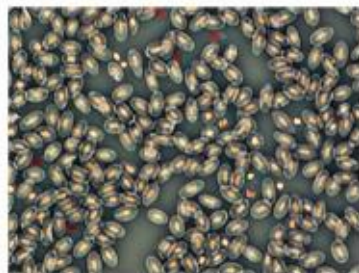
Abbe condenser NA.1.25 Rack & pinion adjustable Can option dry tape or immersion tape dark field condenser.

Collector&Illumination:

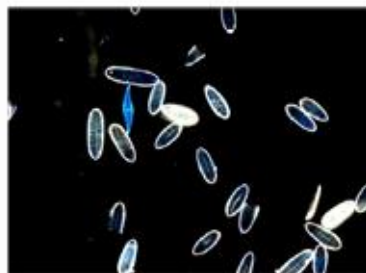
LED lamp with Integrated field diaphragm;
Can use LED lamp or optional Halogen lamp



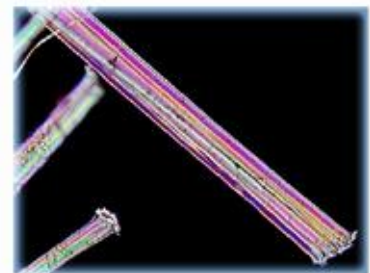
Digital camera photography:



Phase observe

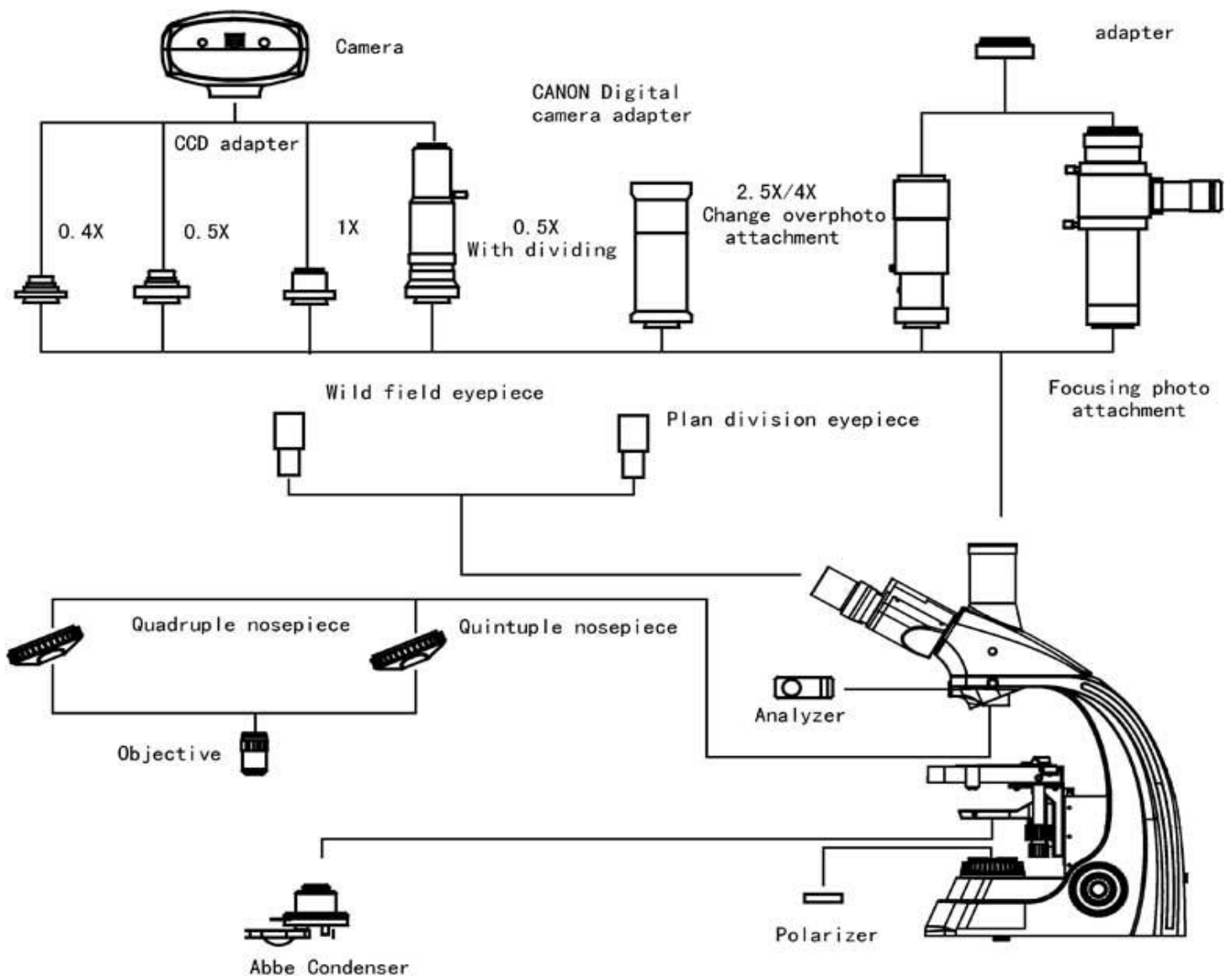


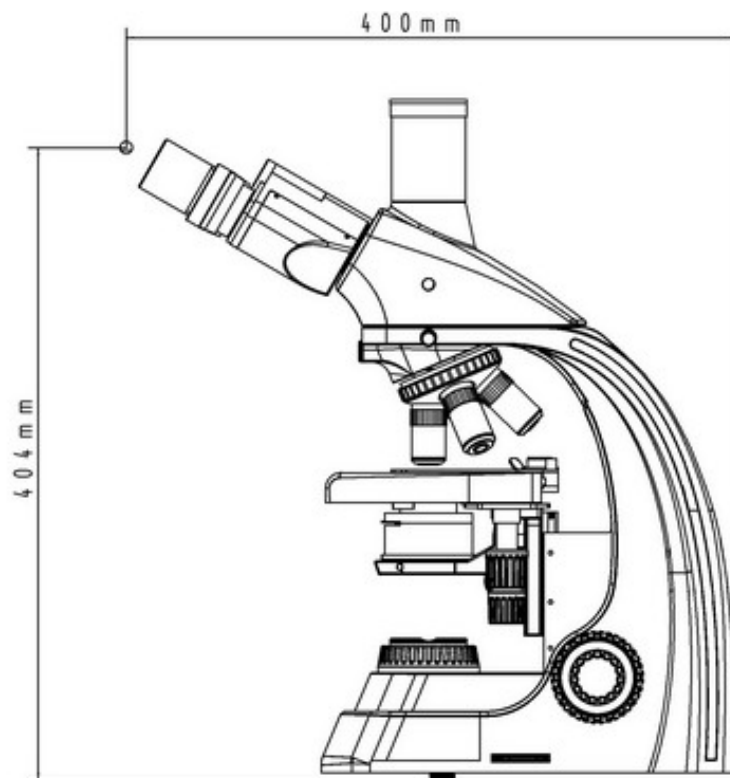
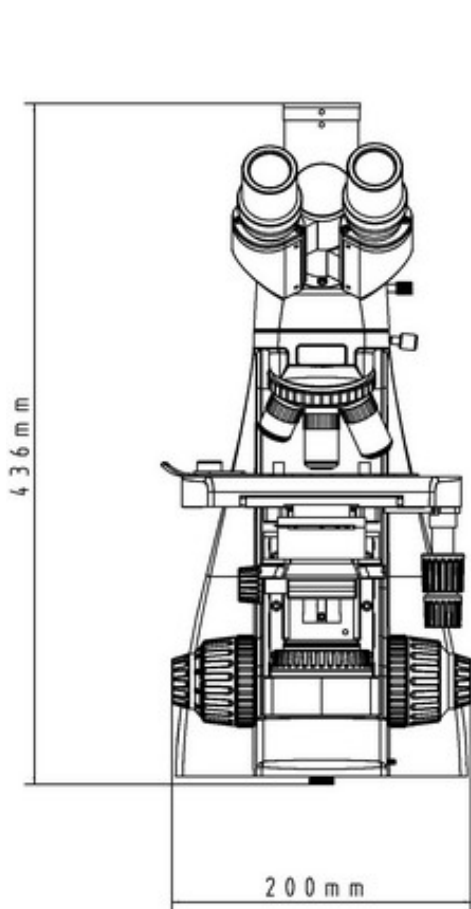
Dark type observe



Polarized observe

Diagram





Standard Configuration

Eyepiece	Wide field WF10X(Φ 22mm)
Objective	Infinity plan achromatic objective
PL 4X/0.10 (Work distance) : 21 mm	
PL 10X/0.25 (Work distance) : 5.0 mm	
PL 40X/0.65 (Spring) (Work distance) : 0.66 mm	
PL 100X/1.25 (Spring, oil) (Work distance) : 0.36mm	
Eyepieces tube	Trinocular, Inclination of 30°.
Focus system	Coaxial coarse/fine focus system, with tension adjustable and limit stopper, minimum division of fine focusing: 2 μ m.
Nosepiece	Quintuple (Backward ball bearing inner locating)
Stage	Double layer mechanical (Size:180mmX150mm, movingrange:75mmX50mm)
Transmitted illumination system	Abbe condenser NA.1.25 Rack & pinion adjustable
	Blue filter and Ground glass
	3W LED, brightness adjustable

OPTIONAL ACCESSORIES

Eyepiece	Dividing eyepiece (field number: Φ 22mm) 0.10mm/Div
Objective	Infinity plan achromatic objective

		PL 20X/0.40 (Work distance) : 8.8 mm
		PL 60X/0.85 (Work distance) : 0.25mm
Phase contrast unit	Eyepiece	Centering Telescope
	Objective	Infinity phase contrast plan achromatic 10X/0.25 PHP
		Infinity phase contrast plan achromatic 20X/0.40 PHP
		Infinity phase contrast plan achromatic 40X/0.65 PHP(Spring)
		Infinity phase contrast plan achromatic 100X/1.25 PHP(Spring, oil)
	Sliding phase contrast	
Filter		Green Filter
		Yellow Filter
CCD Adapter		0.4X
		0.5X
		1X
		0.5X with dividing 0.1mm/Div
Camera		DV-130/200/300/500/900 USB output
		DV-1A/DV-1B Video output
Digital camera adapter		CANON(EF) NIKON (F)
Facility Polarize		Polarizer 360° rotatable stage
		Analyzer Sliding type
Illumination system		6V 30W halogen lamp illumination

LED Epi-Fluorescence Microscope



Shop No.1, Basement floor, Best Apartments, Dr. Arunachalam Road, 5th Stage BEML Layout, Rajarajeshwari Nagar, Bengaluru - 560 098